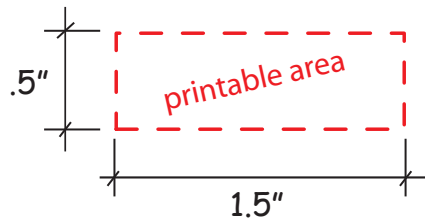
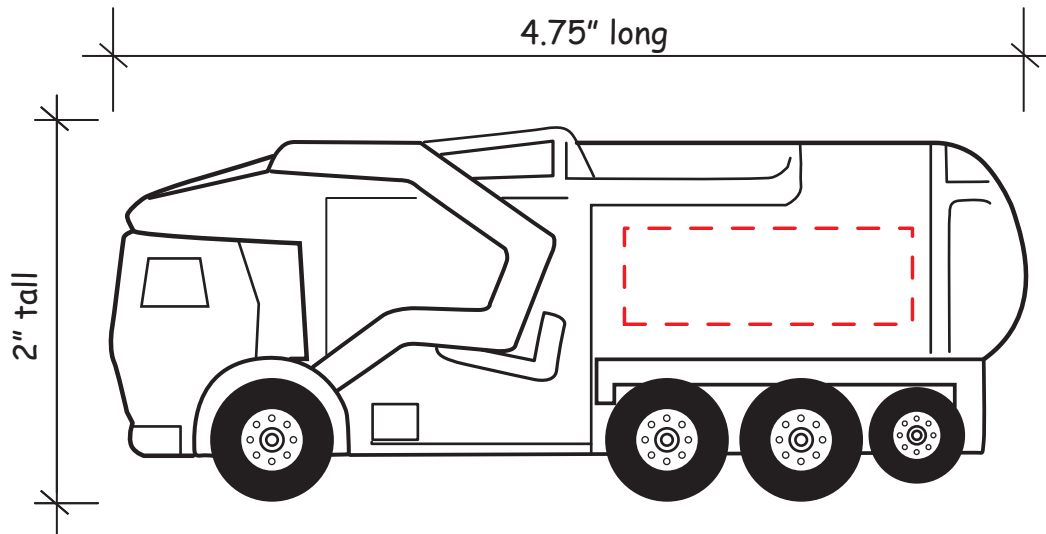


Use this number to obtain tracking information on [www.alpi.net](http://www.alpi.net)

Order #: \_\_\_\_\_  
Production Time begins upon receipt of proof approval.  
Account must be in good credit standing.



## 26472 - Garbage Truck



ALPI International • ASI 34415 • PPAI 111221 • [www.alpi.net](http://www.alpi.net)

Artwork is always printed at maximum size unless otherwise requested. Due to the nature and orientation of some logos, the actual imprint area may vary from what is seen here and in our catalog.